

The World Leading Provider of High Pressure Equipment for Research and Industry since 1945!

Micro-Berty

Catalytic Packless Reactor

At a Glance

Free Basket Volume: 15.4 ml

Volumes: 3.6 ml

Material of Construction: Hastelloy® C-276

Design Pressure: 5,000 psi @ 650° F
(34.5 MPa @ 343° C) or 1000° F (538° C)

Applications: The multiphase reactor design is used for time based, laboratory, high temperature and high pressure heterogeneous catalysis experiments with gas/solid phase reactants. Use internal recycle reactors and vary reaction time for catalyst activation, catalyst regeneration and catalyst endurance (*catalyst life*) studies.



The Micro-Berty Catalytic Packless Reactor with Robinson/Mahoney internals is designed to provide all the benefits of small scale chemical research. It allows the research scientist to work with small quantities of catalyst and feedstocks which may be expensive and/or limited in availability. Reduced volumes are safer to work with and minimize waste disposal. In addition, the reactor has reduced dead volume, which minimizes side thermal reactions. The role of the catalyst thus may be more clearly tested.

The catalyst basket design lends itself to easy loading and discharge of catalyst pellets.

Principle of Operation

Features

- Reduced catalyst and dead volumes.
- Operating pressures as high as 5000 psi (346 bar) and temperatures as high as 1000° F (538° C)
- Blower speeds as high as 5000 rpm
- Available worldwide to meet codes such as ASME, CE (PED) and CRN
- Hydrostatic test pressure: 8,000 psig (55.2 MPa)

Autoclave Engineers



Division of Snap-tite, Inc.

Standard Equipment

Micro Reactor Vessel: Confined gasket closure employs flange nut to lock body and cover together. Vessel body outside diameter has helical groove to accept cooling coil. Body, cover and flange nut are Hastelloy C-276.

Sealing Gasket: Confined gasket of gold-plated Inconel-X is designed for repeated use.

Cover: Cover is integral with the MagneDrive II housing. All external body/cover openings, except thermowell, have SW125 connections (650° F units) or SF250CX connections (1000° F units).

These include:

Cover Openings:

- Safety head/pressure gauge connection.
- Thermowell opening (plugged)
- Sample connection (no internal tube).
- Inlet and outlet connections

Body bottom openings:

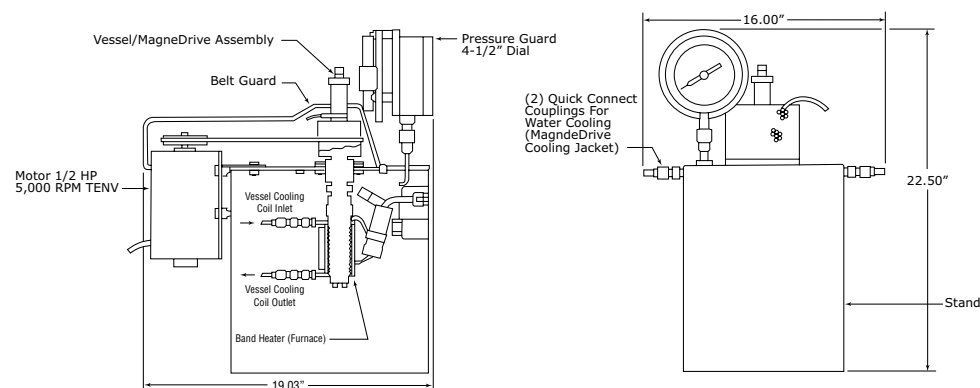
- SF250CX thermocouple connections (basket and internal bottom temperatures).

Purge Connection: 1/8" (SW-125) gas connection at top of MagneDrive allows for introduction of gas into the vessel.

Pressure Gauge: Constant reading gauges has 4-1/2" diameter dial with K-Monel Bourdon tube. Dual face dial reads 0-7500 psi and 0-527 Kg/cm².

Safety Head Assembly: Hastelloy-C safety head uses 3/16" flat Inconel rupture disc, 1/8" NPT female vent connection through top of bench stand to atmosphere.

Electric Motor (Air Motor Available)



Heaters: External ceramic electric band heater is rated at either 270 watt (650° F unit) or 700 watt (1000° F unit). They are available in 120 or 240 VAC. It is clamped onto the vessel body/cooling coil.

Thermocouples: Sheathed thermocouples for direct temperature measurement at the following locations:

- Basket (catalyst) temperature
- Internal bottom
- Body OD (over temperature)

Cooling Coil: External cooling coil can be used for water or air cooling. Type 304 SS coil is wrapped into helical groove in vessel body, permits rapid vessel cooling and temperature control. Inlet and outlet connections for cooling coil have quick disconnect couplings for flexible tubing connections.

MagneDrive II Packless Drive System

The new AE Microclave features a miniaturized MageDrive II packless drive system. Rare earth magnetics provide high torque mixing capability. Packless magnetic-drive system eliminates leakage, contamination and packing heat generation problems of conventional mixers. It provides continuous high speed rotary agitation without the danger of leakage or the downtime to change worn packing.

Mixing System: MagneDrive II rotary impeller system. Static torque 6 in. lbs; net mixing horsepower 0.5 @ 5,000 rpm. Special impeller for maximum dispersion.

Available with electric or air motor.

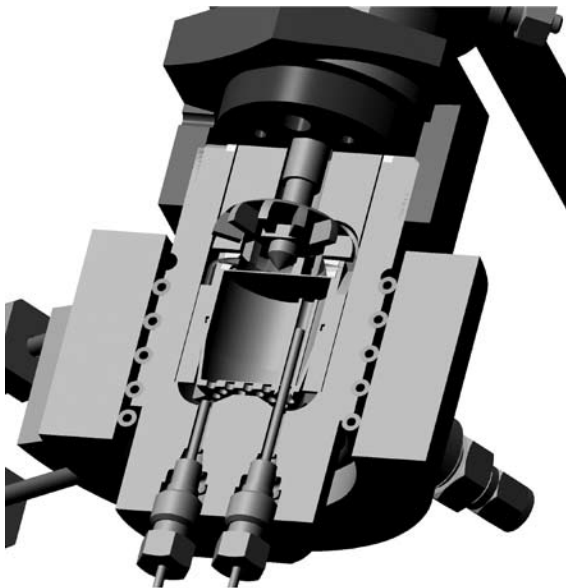
Electric: Variable speed rated 0.5 HP @ 5,000 rpm. Type TENV with 120 V or 240 V.

Air: HP to 0.5 @ 6,000 rpm. Required air pressure 80 psig @ 27 cfm maximum.

Approximate shipping weights.3

With air motor: 47 lbs. (21.3 Kg)

With electric motor: 62 lbs. (28.1 Kg)



**Catalytic Packless Reactor with
Microberty Basket**

Technical Specifications

Description: This internal recycle reactor is designed with a fixed, circular, screened catalyst bed and a top mounted vane type blower. Fluid circulation is directed downward along the vessel wall and deflected upward through the catalyst bed.

Reactants: Gas/Solids. Vapor/Solids

Typical Reactions: Oxidation, hydrogenation, catalyst testing.

Basket Screen: 50x50 mesh, 0.009" (0.23 mm) wire and a nominal opening size of 0.011" (0.28 mm)

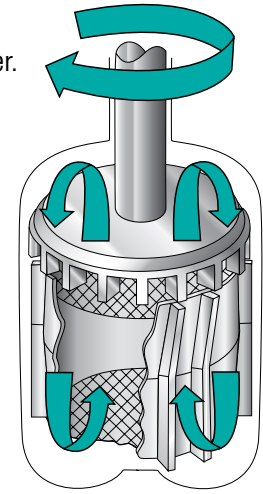
Inside Diameter: 1" (25.4 mm)

Basket Volume: 0.22 in.³ (3.6 cm³)

Free Volume: 0.94 in.³ (15.4 cm³)

Design Max. Operating Pressure (MOP): 4061 psig (280 Bar) based on rupture disc

Maximum Blower Speed: 5,000 RPM



| Version: | Standard | High Temperature |
|------------------------------|---------------|------------------|
| Temperature | 650°F (343°C) | 1,000°F (538°C) |
| Catalog Number Prefix | CRB2HC... | CRBHT... |

Common Customizations: Special wire mesh size, special materials, specific pressure/temperature ratings. ASME code stamp (or CE mark for pressure equipment Directive)

Standard Material: Hastelloy® C-276

Ordering Guide

The following reactor assemblies INCLUDE motor, thermocouples and electrically heated 1,400°F (760°C) maximum furnace (for the voltage specified in the table). Be advised, motor controls, tachometer display, furnace controls and the display for the thermocouple are purchased as separate items. Consult factory for more information.

| Catalog Number | Description HC=Hastelloy®C-276 | Motor | Power Source | Temperature Rating | General Arrangement Drawing Number | Reactor Subassembly Drawing Number | Weight lb. |
|-----------------|-----------------------------------|-------|--------------|--------------------|------------------------------------|------------------------------------|------------|
| CRB2HC05ZH16A | Micro Berty Reactor HC | Air | 120V | 650°F (343°C) | 40A-3174 | 40A-3173 | 47 |
| CRB2HC05ZH16D | Micro Berty Reactor HC | DC | 120V | 650°F (343°C) | 40A-3175 | 40A-3173 | 62 |
| CRBHT2HC05ZH16D | Micro Berty Reactor HC | DC | 120V | 1,000°F (538°C) | 40A-7791 | 40A-6525 | 62 |
| CRB2HC05ZH26A | Micro Berty Reactor HC | Air | 240V | 650°F (343°C) | 40A-3174 | 40A-3173 | 47 |
| CRB2HC05ZH26D | Micro Berty Reactor HC | DC | 240V | 650°F (343°C) | 40A-3175 | 40A-3173 | 62 |
| CRBHT2HC05ZH26D | Micro Berty Reactor HC | DC | 240V | 1,000°F (538°C) | 40A-7791 | 40A-6525 | 62 |

NOTE: The circulating pressure generated by the impellers in the "Micro Series" reactors is low. Autoclave Engineers makes no claims about the ability to scale-up or correlate "Micro Series" catalytic reactors with any other process equipment.

! WARNING !

FAILURE OR IMPROPER SELECTION OR IMPROPER USE OF THE PRODUCTS AND/OR SYSTEMS DESCRIBED HEREIN OR RELATED ITEMS CAN CAUSE DEATH, PERSONAL INJURY AND/OR PROPERTY DAMAGE.

This document and other information from Snap-tite, Inc., its subsidiaries and authorized distributors, provides product and/or system options for further investigation by users having technical expertise. It is important that you analyze all aspects of your application and review the information concerning the product or system in the current product catalog. Due to the variety of operation conditions and applications for these products or systems, the user, through its own analysis and testing, is solely responsible for making the final selection of the products and systems and assuring that all performance, safety and warning requirements of the application are met. The products described herein, including without limitation, product features, specifications, designs, availability and pricing, are subject to change by Snap-tite, Inc. and its subsidiaries at any time without notice.



Division of Snap-tite, Inc.

8325 Hessinger Drive
Erie, Pennsylvania 16509-4679
PH: 814-860-5700 FAX: 814-860-5811
e-mail: aeclave_sales@snap-tite.com
www.autoclaveengineers.com

ISO-9001 Certified 

06-1143SE-0209

Bulletin CR-MICROBERTY

The World Leading Provider of High Pressure Equipment for Research and Industry since 1945!