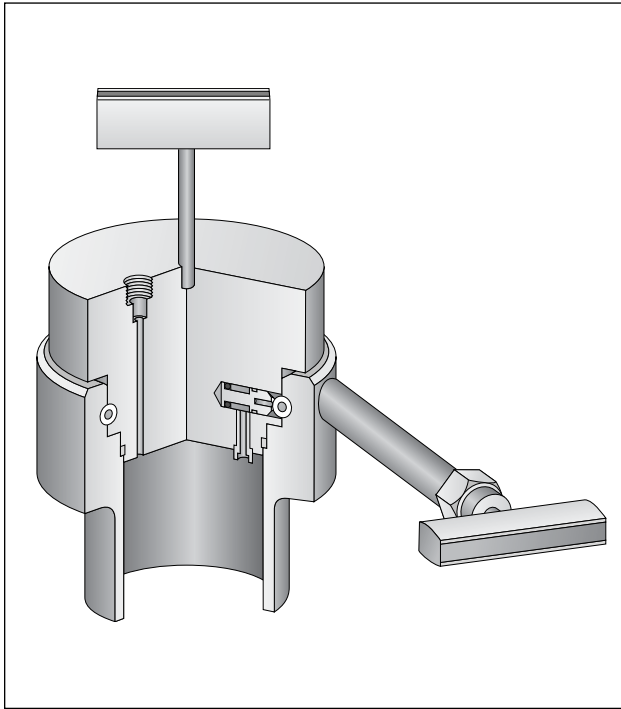


## Zipperclave™ Pressure Vessel

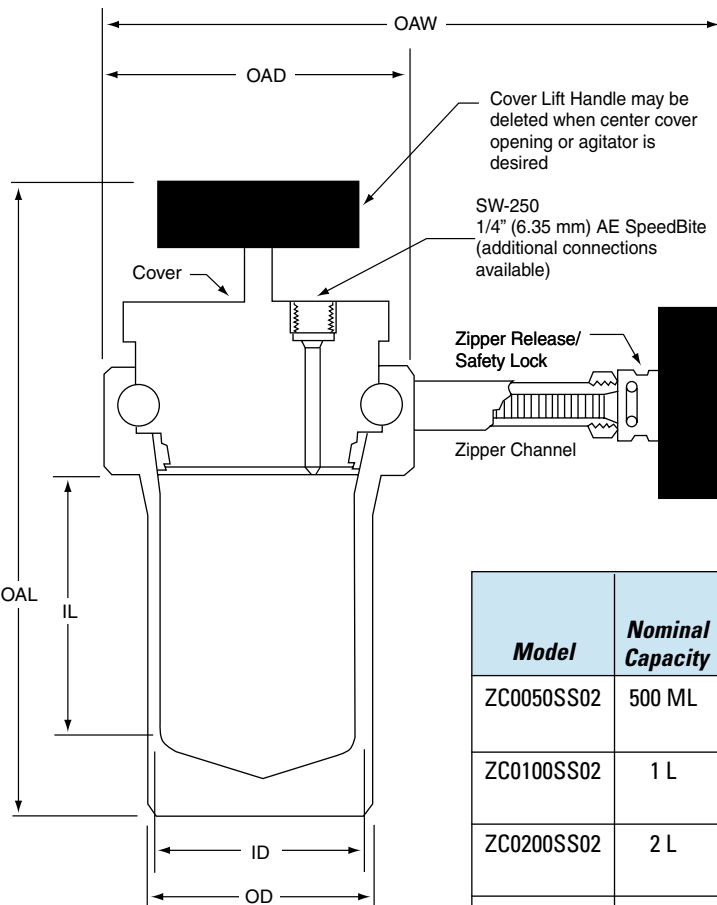


### At a Glance

Standard Volumes:	500 ml to 4 L
MAWP:	2,200 psi @ 450°F (152 bar @ 232°C)
Material of Construction:	316 Stainless Steel for all wetted parts

### Principle of Operation

The Zipper closure was developed for AE's Zipperclave™ quick-opening, low pressure vessels. Closure is effected by a resilient spring member (the "Zipper") inserted through a circumferential groove in the body and cover. Simply release the safety sleeve and pull the Zipper to remove the cover. A quick release/safety lock and cover safety device are provided to ensure that the spring is fully inserted.



Model	Nominal Capacity	Dimensions-inches (mm)					
		ID	OD	IL	OAL	OAW	Body OAD
ZC0050SS02	500 ML	3.00 (76.2)	3.42 (86.8)	4.59 (116)	9.50 (241)	11.79 (299)	4.92 (125)
ZC0100SS02	1 L	3.00 (76.2)	3.42 (86.8)	8.71 (221)	13.62 (346)	11.79 (299)	4.92 (125)
ZC0200SS02	2 L	5.00 (127)	5.80 (147)	6.07 (154)	11.78 (299)	12.31 (312)	7.00 (178)
ZC0400SS02	4 L	5.00 (127)	5.80 (147)	12.32 (313)	18.03 (458)	12.31 (312)	7.00 (178)

Pressure Vessels



## Optional O-Ring Chart

Material	Max Temp	
	°F	(°C)
Buna N	250°	(121°)
EPR	300°	(149°)
Silicone	400°	(204°)
*Viton®	450°	(232°)
*Teflon® Encapsulated *Viton®	450°	(232°)
*Kalrez®	500°	(260°)

\* Products are registered trademarks of Dupont Dow Elastomers.

## Ordering Guide

<b>ZC</b> ZipperClave™	<b>0050</b> Capacity in ml	<b>SS</b> Material of Construction	<b>02</b> Pressure psi, (bar)
	0050 - 500 ml	SS - 316 Stainless Steel	2000
	0100 - 1000 ml	HB - *Hastelloy® B	(138)
	0200 - 2000 ml	HC - *Hastelloy® C	
	0400 - 4000 ml	TI - Titanium	
		MO - Monel	
		NI - Nickel	

\*Hastelloy® is a trademark of Haynes International, Inc.

## Features & Other Available Options

- Connection can be adapted to different sizes
- Multiple connections
- Other materials of construction
- Heaters and furnaces
- Stand (bench or floor style)
- Cooling and heating jackets
- Drain valves
- Consult factory to discuss your specific requirements

## Supporting Information

MagneDrives®: (See Agitation section of this catalog)(AG-SG)  
 Controls: (See Instrumentation of this catalog) (IN-SG)  
 Valves, Fittings & Tubing: (See VFT Catalog)  
 Complete Systems: (See Stirred Reactor Systems section of this catalog) (SR-SG)

**Autoclave  
Engineers** 

Division of Snap-tite, Inc.

8325 Hessinger Drive  
 Erie, Pennsylvania 16509-4679 USA  
 PH: 814-860-5700 FAX: 814-860-5811  
 email: [aeclave\\_sales@snap-tite.com](mailto:aeclave_sales@snap-tite.com)  
[www.autoclaveengineers.com](http://www.autoclaveengineers.com)

**ISO-9001:2000 Certified**



### ! WARNING !

FAILURE OR IMPROPER SELECTION OR IMPROPER USE OF THE PRODUCTS AND/OR SYSTEMS DESCRIBED HEREIN OR RELATED ITEMS CAN CAUSE DEATH, PERSONAL INJURY AND/OR PROPERTY DAMAGE.

*This document and other information from Snap-tite, Inc., its subsidiaries and authorized distributors, provides product and/or system options for further investigation by users having technical expertise. It is important that you analyze all aspects of your application and review the information concerning the product or system in the current product catalog. Due to the variety of operation conditions and applications for these products or systems, the user, through its own analysis and testing, is solely responsible for making the final selection of the products and systems and assuring that all performance, safety and warning requirements of the application are met.*

*The products described herein, including without limitation, product features, specifications, designs, availability and pricing, are subject to change by Snap-tite, Inc. and its subsidiaries at any time without notice.*