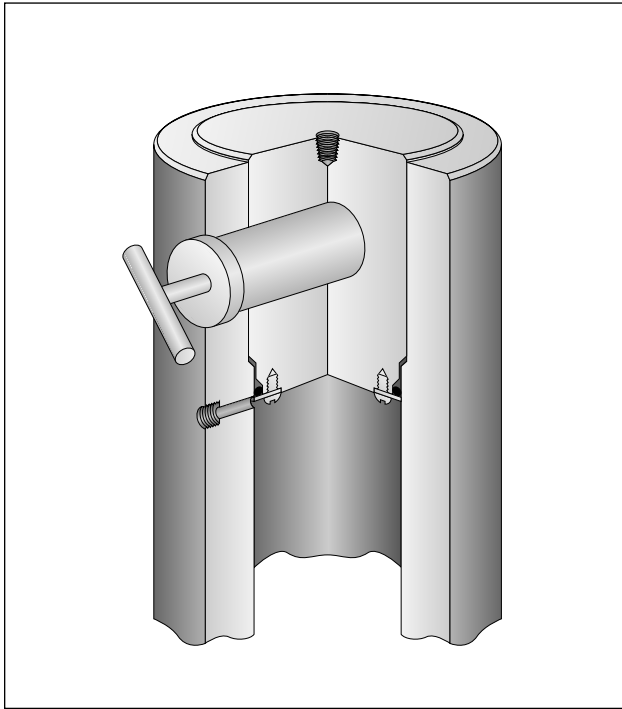


Threadless Pin Closure Pressure Vessel

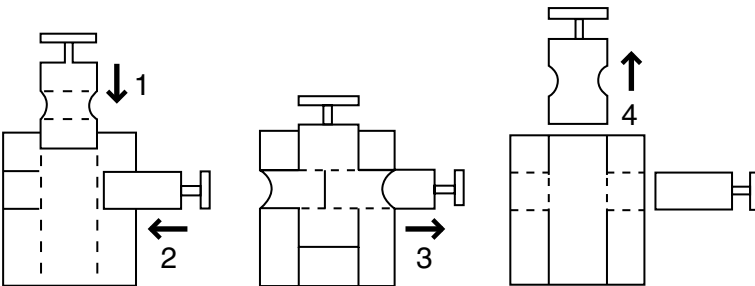


At a Glance

Standard Volumes:	1.0 L to 132 L
MAWP:	10,000 to 60,000 psi @ 72°F (689 to 4137 bar @ 22°C)
Material of Construction:	Alloy Steel

Principle of Operation

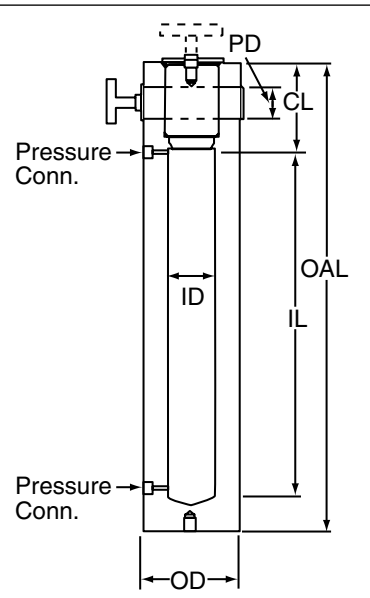
The threadless pin quick-opening pressure vessels feature rapid cyclic operation with greatly increased vessel life. The threadless pin closure replaces the bending stress that normally occurs in a threaded or breach closure pressure vessel. The pin closure provides a more uniform application of cover thrust in the vessel wall. Standard models include vessels sized for research as well as for production operation.



Autoclave Engineers threadless pin-closure, pressure vessels permit fast opening and closing of vessel for increased throughput and safety. To close: (1) lower cover; (2) insert pin. To open: (3) pull pin; (4) raise cover.

Specifications: Research Vessels

Model	Pressure Rating @ 72° F (22° C) psi (bar)	Nominal Capacity	Dimensions-inches (mm)					
			ID	OD	IL	OAL	CL	PD
TP0250SL15	15,000 (1034)	2.5 liters	4.00 (102)	6.25 (159)	12.00 (305)	22.50 (572)	7.88 (200)	3.00 (762)
TP0250SL30	30,000 (2068)	2.5 liters	3.00 (762)	6.00 (152)	23.00 (584)	30.63 (778)	5.63 (143)	2.00 (508)
TP0550SL30	30,000 (2068)	5.5 liters	4.50 (114)	9.00 (229)	22.00 (559)	33.50 (851)	8.00 (203)	3.00 (762)
TP1050SL30	30,000 (2068)	10.5 liters	6.00 (152)	12.00 (305)	23.00 (584)	38.00 (965)	10.75 (273)	4.00 (102)
TP0100SL60	60,000 (4137)	1 liter	2.00 (508)	6.00 (152)	22.00 (559)	30.63 (778)	5.63 (143)	2.00 (508)
TP0250SL60	60,000 (4137)	2.5 liters	3.00 (762)	9.00 (229)	22.00 (559)	33.50 (851)	8.00 (203)	3.00 (762)
TP0450SL60	60,000 (4137)	4.5 liters	4.00 (102)	12.00 (305)	22.00 (559)	38.00 (965)	10.75 (273)	4.00 (102)

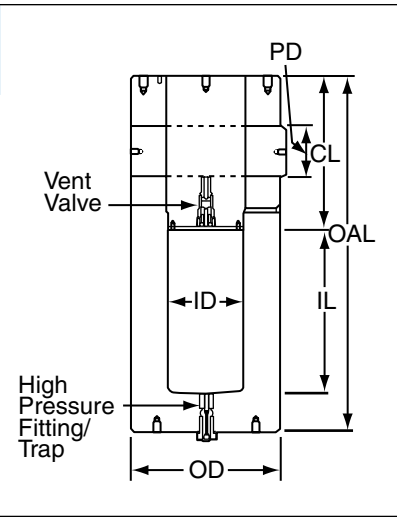


Pressure Vessels



Specifications: Production Vessels, 11 liters to 132 liters

Vessel Order Number	Pressure Rating @ 100° (37.8°C) psi (bar)	Nominal Capacity	Dimensions-inches (mm)					
			ID	OD	IL	OAL	CL	PD
TP132XSL10	10,000 psi (689)	132 liters	16.00 (406)	24.00 (610)	40.00 (1016)	70.00 (1778)	22.00 (559)	8.00 (203)
	20,000 psi (1379)		14.00 (356)	24.00 (610)	36.00 (914)	70.00 (1778)	24.00 (610)	8.00 (203)
TP2500SL30	30,000 psi (2068)	25 liters	9.00 (229)	18.00 (457)	25.19 (640)	50.00 (1270)	18.00 (457)	6.00 (152)
	30,000 psi (2068)		12.00 (305)	24.00 (610)	36.00 (914)	70.00 (1778)	24.00 (610)	8.00 (203)
TP6700SL30	60,000 psi (4137)	11 liters	6.00 (152)	18.00 (457)	24.00 (610)	50.00 (1270)	18.00 (457)	6.00 (152)
	60,000 psi (4137)		8.00 (203)	24.00 (610)	36.00 (914)	70.00 (1778)	24.00 (610)	8.00 (203)



Optional O-Ring Chart

Material	Max Temp °F	Max Temp (°C)
Buna N	250°	(121°)
EPR	300°	(149°)
Silicone	400°	(204°)
*Viton®	450°	(232°)
*Teflon® Encapsulated *Viton®	450°	(232°)
*Kalrez®	500°	(260°)

* Products are registered trademarks of Dupont Dow Elastomers.

Ordering Guide

TP Threadless Pin	0250 Capacity Code	SL Material of Construction	10 Pressure psi, (bar)
	1.0 L = 0100	SL - Alloy Steel (SA-723)	10 - 10,000
	2.5 L = 0250	SS - 17-4 PH Stainless	(690)
	4.5 L = 0450		15 - 15,000
	5.5 L = 0550		(1034)
	10.5 L = 1050		20 - 20,000
	11 L = 1100		(1379)
	25 L = 2500		30 - 30,000
	30 L = 3000		(2069)
	67 L = 6700		60 - 60,000
	91 L = 9100		(4138)
	132 L = 132X		

Features & Other Available Options

- Different connections, sizes and locations
- Stands
- Heaters
- ASME Code Stamp / CRN Registration
- Electro - Hydraulic Pumps
- Control Systems
- Automatic / Manual Cover Lift
- Automatic Pin Pull
- Material Handling Systems
- Contact factory to discuss your special requirements



Division of Snap-tite, Inc.

8325 Hessinger Drive
Erie, Pennsylvania 16509-4679 USA
PH: 814-860-5700 FAX: 814-860-5811
email: aeclave_sales@snap-tite.com
www.autoclaveengineers.com

ISO-9001:2000 Certified



! WARNING !

FAILURE OR IMPROPER SELECTION OR IMPROPER USE OF THE PRODUCTS AND/OR SYSTEMS DESCRIBED HEREIN OR RELATED ITEMS CAN CAUSE DEATH, PERSONAL INJURY AND/OR PROPERTY DAMAGE.

This document and other information from Snap-tite, Inc., its subsidiaries and authorized distributors, provides product and/or system options for further investigation by users having technical expertise. It is important that you analyze all aspects of your application and review the information concerning the product or system in the current product catalog. Due to the variety of operation conditions and applications for these products or systems, the user, through its own analysis and testing, is solely responsible for making the final selection of the products and systems and assuring that all performance, safety and warning requirements of the application are met.

The products described herein, including without limitation, product features, specifications, designs, availability and pricing, are subject to change by Snap-tite, Inc. and its subsidiaries at any time without notice.