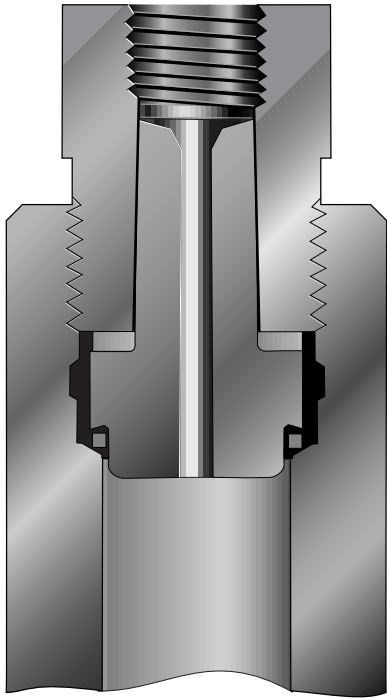


Kuentzel Closure Pressure Vessels

At a Glance

Volumes:	103 ml to 206 ml
MAWP:	11,000 PSI @ 72° F (758.4 Bar @ 22° C)
Material of Construction:	316 Stainless Steel
Connection	F-375-C



Principle of Operation

Autoclave Engineers' Kuentzel closure pressure vessel is a reliable and cost efficient reactor in smaller capacity applications requiring medium pressure operation at higher temperatures.

The four-piece Kuentzel closure design is relatively simple and easy to clean and make up. Metal-to-metal sealing is achieved with 300 series stainless steel or copper gasket, (please specify).

Kuentzel vessels are offered in both single and double-ended configuration, the latter providing greater ease of cleaning.

MAWP vs. Temperature

TEMPERATURE	°F	-20 to 100°	200°	400°	600°	800°	1000°	1100°	1200°
	°C	-29 to 38°	93°	204°	316°	427°	538°	593°	649°
PRESSURE	PSI	11,000	10,600	9,600	9,500	9,000	8,200	5,800	3,600
	BAR	758.4	730.8	661.9	655.0	620.5	565.4	399.9	248.2

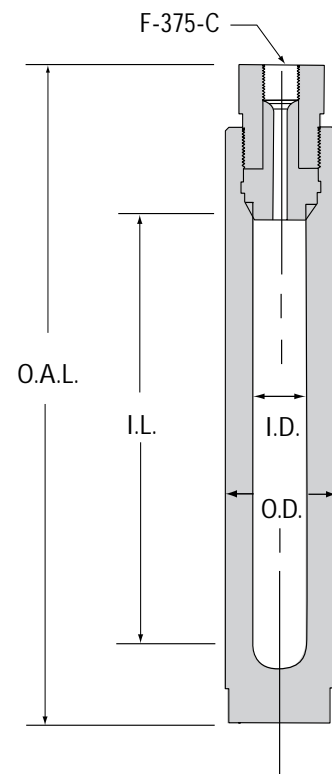
A286 thrust ring used above 800°F (427°C).

Recommended Main Nut Torque = 90 ft. lbs.
 Maximum Main Nut Torque = 120 ft. lbs.

Single Ended Series KC

MODEL NUMBER	NOMINAL CAPACITY	Dimensions: Inches (mm)			
		I. DIA	O. DIA	I.L.	OAL
KC10.3SS11 SINGLE ENDED	103 ml	1.00" (25.4)	2.13" (54.1)	8.00" (203.2)	12.00" (304.8)
KC20.6SS11 SINGLE ENDED	206 ml	1.00" (25.4)	2.13" (54.1)	16.00" (406.4)	20.00" (508.0)

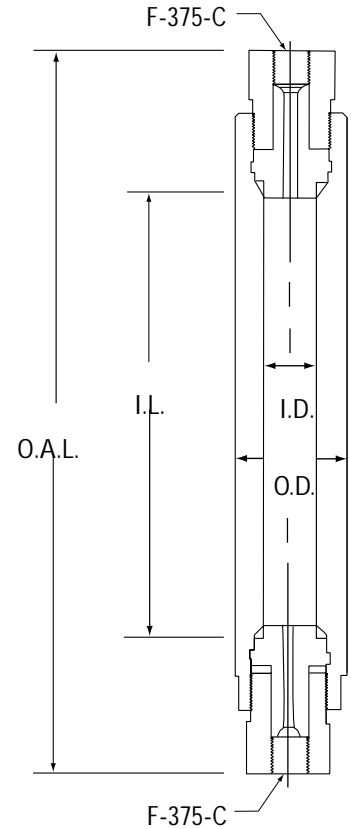
Series KC Single-Ended units can be ordered with inside lengths from 17" to 24" (432 to 610 mm)



Double Ended Series KD

MODEL NUMBER	NOMINAL CAPACITY	Dimensions: Inches (mm)			
		I. DIA	O. DIA	I.L.	OAL
KD10.3SS11 DOUBLE ENDED	103 ml	1.00" (25.4)	2.13" (54.1)	8.00" (203.2)	13.00" (330.2)
KD20.6SS11 DOUBLE ENDED	193 ml	1.00" (25.4)	2.13" (54.1)	15.00" (381.0)	20.00" (508.0)

Series KC Single-Ended units can be ordered with inside lengths from 17" to 30" (432 to 762 mm)



Features & Other Available Options

- Different connections available
- Other materials of construction
- Heaters
- ASME code stamp, CRN registration
- Consult factory to discuss your special requirements

Supporting Information

MagneDrives®: (See Agitation Section of this catalog) (AG-SG)

Controls: (See Instrumentation Section of this catalog) (IN-SG)

Valves, Fittings and Tubing: See VFT catalog

! WARNING !

FAILURE OR IMPROPER SELECTION OR IMPROPER USE OF THE PRODUCTS AND/OR SYSTEMS DESCRIBED HEREIN OR RELATED ITEMS CAN CAUSE DEATH, PERSONAL INJURY AND/OR PROPERTY DAMAGE.

This document and other information from Snap-tite, Inc., its subsidiaries and authorized distributors, provides product and/or system options for further investigation by users having technical expertise. It is important that you analyze all aspects of your application and review the information concerning the product or system in the current product catalog. Due to the variety of operation conditions and applications for these products or systems, the user, through its own analysis and testing, is solely responsible for making the final selection of the products and systems and assuring that all performance, safety and warning requirements of the application are met. The products described herein, including without limitation, product features, specifications, designs, availability and pricing, are subject to change by Snap-tite, Inc. and its subsidiaries at any time without notice.