

EZE -Seal Pressure Vessels

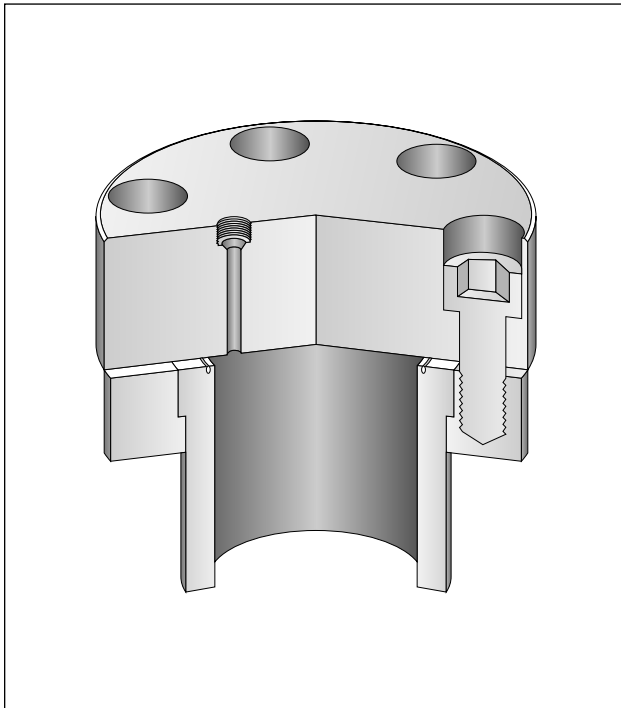
At a Glance

Volumes: 60 ml to 1000 ml
 MAWP: 1,100 psi @ 850 °F (76 bar @ 454 °C)
 or
 3,300 psi @ 850 °F (228 bar @ 454 °C)
 Material of Construction: 316 Stainless Steel

Principle of Operation

The Autoclave Engineers' EZE-Seal design consists of a two piece, loose flange designed for ease of assembly and flexibility. The design features a unique, reusable Double Delta metal-to-metal seal, designed to permit easy closing of the vessel assembly because of substantially reduced torque requirements. The seal ring is silver plated, providing a layer of lubrication between sealing surfaces and allowing for cost effective multiple resealings. O-rings can be used as an alternative to the metal seal for lower temperatures and where reactant properties permit.

Pressure Vessels



Model	† MAWP @850 °F (454 °C)	Nominal Capacity	Dimensions-inches (mm)				
			ID	OD	IL	OAL	OAW
DD006SS01	1100	60 ml	1.00 (25)	2.77 (71)	2.06 (52)	5.44 (138)	3.94 (100)
DD013SS01	1100	135 ml	1.81 (46)	2.75 (70)	2.06 (52)	5.44 (138)	3.94 (100)
DD030SS01	1100	300 ml	1.81 (46)	6.69 (170)	2.06 (52)	9.31 (237)	3.94 (100)
DD006SS03	3300	60 ml	1.00 (25)	2.77 (71)	2.31 (59)	5.65 (144)	4.19 (106)
DD013SS03	3300	135 ml	1.81 (46)	2.75 (70)	2.31 (59)	5.65 (144)	2.31 (59)
DD030SS03	3300	300 ml	1.81 (46)	6.69 (170)	2.31 (59)	9.50 (241)	4.19 (106)
DD050SS03	3300	500 ml	3.00 (76)	4.38 (111)	3.78 (96)	8.19 (208)	6.18 (157)
DD100SS03	3300	1000 ml	3.00 (76)	8.72 (222)	3.78 (96)	12.31 (313)	6.18 (157)

* Note: 60 ml body is spiral grooved for use with optional external cooling coil.
 † Maximum operating pressure is 10% lower than MAWP.

Vessel Interchangeability:

60 ml, 135 ml, and 300 ml bodies rated for 1,100 psi (76 bar) are interchangeable.
 60 ml, 135 ml, and 300 ml bodies rated for 3,300 psi (228 bar) are interchangeable.
 500 ml and 1000 ml bodies are interchangeable.

MAWP vs. Temperature Ratings

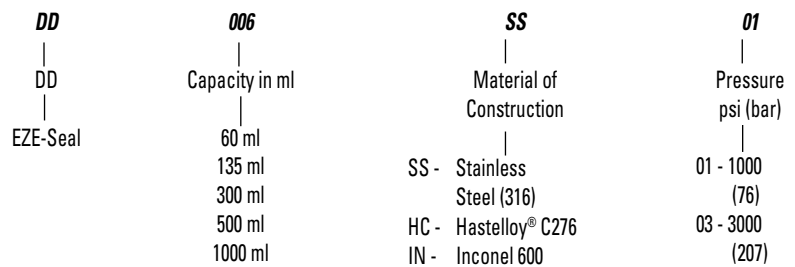
Model	Nominal Capacity	°F °C	-20 to 100° (-29 to 37.8°)	200° (93°)	300° (148°)	400° (204°)	500° (260°)	600° (315°)	650° (343°)	700° (371°)	750° (398°)	800° (426°)	850° (454°)	900° (482°)	950° (510°)	1000° (537°)	1050° (565°)	1100° (593°)
DD006SS01 DD013SS01 DD030SS01	60 ml 135 ml 300 ml	psi (bar)	1175 (81)	1175 (81)	1150 (79)	1150 (79)	1125 (78)	1075 (74)	1050 (72)	1025 (71)	1025 (71)	1000 (69)	1000 (69)	925 (64)	750 (52)	600 (41)	425 (29)	275 (19)
DD006SS03 DD013SS03 DD030SS05 DD050SS03 DD100SS03	60 ml 135 ml 300 ml 500 ml 1000 ml	psi (bar)	3250 (224)	3250 (224)	3250 (224)	3175 (219)	3175 (219)	3175 (219)	3175 (219)	3100 (214)	3075 (212)	3025 (209)	3000 (207)	2800 (193)	2300 (159)	1800 (124)	1275 (88)	625 (43)

Optional O-Ring Chart

Material	Max Temp °F (°C)
Buna N	250° (121°)
EPR	300° (149°)
Silicone	400° (204°)
*Viton®	450° (232°)
*Teflon® Encapsulated *Viton®	450° (232°)
*Kalrez®	500° (260°)

* Products are registered trademarks of Dupont Dow Elastomers.

Model Ordering Code



* Hastelloy® is a registered trademark of Haynes International, Inc.

Features & Other Available Options

- Connection can be adapted to different sizes
- Multiple connections
- Other materials of construction
- Bodies are interchangeable as stated above
- Heaters and furnaces
- Stands (bench or floor style)
- Cooling internal and external

Supporting Information

MagneDrives®: (See Agitation section of this catalog)(AG-SG)
 Controls: (See Instrumentation section of this catalog)(IN-SG)
 Complete Systems: (See Stirred Reactor Systems section of this catalog) (SR-SG)
 Valves, Fittings & Tubing: (See VFT Catalog)



Division of Snap-tite, Inc.

8325 Hessinger Drive
 Erie, Pennsylvania 16509-4697 USA
 PH: 814-860-5700 FAX: 814-860-5811
 email: aeclave_sales@snap-tite.com
 www.autoclaveengineers.com



ISO-9001:2000 Certified

06-0053SE-1099

! WARNING !

FAILURE OR IMPROPER SELECTION OR IMPROPER USE OF THE PRODUCTS AND/OR SYSTEMS DESCRIBED HEREIN OR RELATED ITEMS CAN CAUSE DEATH, PERSONAL INJURY AND/OR PROPERTY DAMAGE.

This document and other information from Snap-tite, Inc., its subsidiaries and authorized distributors, provides product and/or system options for further investigation by users having technical expertise. It is important that you analyze all aspects of your application and review the information concerning the product or system in the current product catalog. Due to the variety of operation conditions and applications for these products or systems, the user, through its own analysis and testing, is solely responsible for making the final selection of the products and systems and assuring that all performance, safety and warning requirements of the application are met.

The products described herein, including without limitation, product features, specifications, designs, availability and pricing, are subject to change by Snap-tite, Inc. and its subsidiaries at any time without notice.